

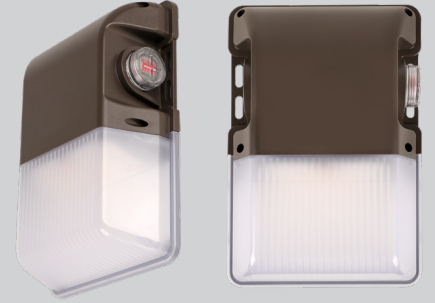
Catalog Number:	Project Name:	Note:	Date:	Type:
-----------------	---------------	-------	-------	-------

Portor's third generation PT-WPM3 series combines economical and security solution for outdoor perimeter and building facades. The LED driver is mounted in direct contact with the casting to promote low operating temperature and long life.

Ideal use for warehouses, walkways, building entry ways, parking lots, retail exteriors and shopping malls.

CCT
SELECTABLE

WATTAGE
SELECTOR



CONSTRUCTION

Die-cast aluminum housing. Sealed by a silicone ring that makes the fixture waterproof, internal level ensures installation is horizontal.

ELECTRICAL

Luminaire is built with the highest quality driver that is Universal Voltage (120V-277V), uses long lasting, high-efficient LED packages.

OPTICAL SYSTEM

PC lens designed to reduce glare and improve over-all light distribution through precision formed LED optics.

ENERGY SAVINGS

Over 50% energy savings than traditional lamp fixtures, low heat productions requires less maintenance and operation cost.

LISTING

UL Listed, DLC Listed, RoHS, IP65 rated

WARRANTY

5 year Limited Warranty

WATTAGE	DELIVERED LUMENS	EFFICACY
15W	2,187	151 lm/W
20W	2,871	151 lm/W
25W	3,487	146 lm/W

Based on @ 4000K setting. Actual lumens may vary. For complete results, see next page.

TECHNICAL SPECIFICATION

CCT	3000K/4000K/5000K
CRI	80+
DIMMABLE	0-10V dimmable
SENSOR	Photocell ready (Screw-in type)
VOLTAGE	120V-277V
POWER FREQUENCY	50/60 Hz
POWER FACTOR	>0.9
WORKING TEMPERATURE	-40°F ~ +104°F
IP RATING	IP65 Wet Location
LIFE SPAN	50,000 hrs
WARRANTY	5 year limited



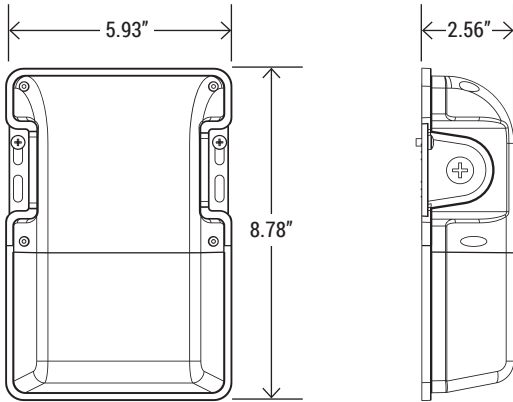
ORDERING SAMPLE:

- -

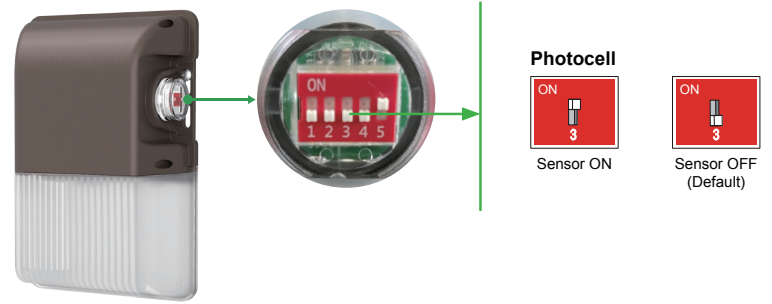
Series	Wattage/CCT	Option
PT-WPM3 Mini Wall Pack Series	3CP (15W/20W/25W) (3000K/4000K/5000K)	_ blank Photocell

Catalog Number:	Project Name:	Note:	Date:	Type:
-----------------	---------------	-------	-------	-------

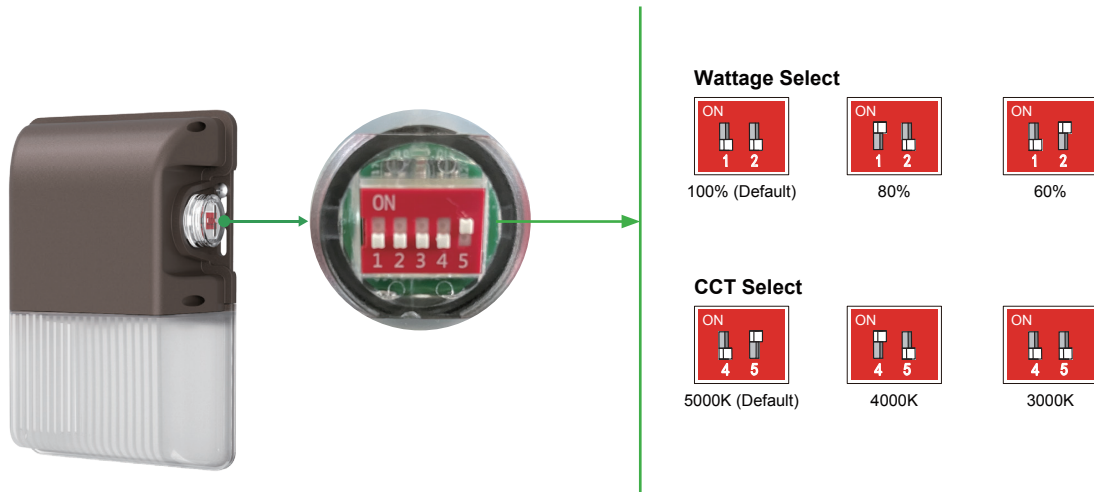
DIMENSION



PHOTOCELL SET-UP



WATTAGE AND CCT SET-UP



CATALOG NUMBER	WATTAGE	DELIVERED LUMENS	EFFICACY	DLC Product ID
PT-WPM3-3CP	15W	1939 @ 3000K	132 lm/W	 S-4Y870A
		2187 @ 4000K	151 lm/W	
		2104 @ 5000K	143 lm/W	
	20W	2496 @ 3000K	129 lm/W	
		2871 @ 4000K	151 lm/W	
		2711 @ 5000K	140 lm/W	
	25W	3077 @ 3000K	125 lm/W	
		3487 @ 4000K	146 lm/W	
		3327 @ 5000K	136 lm/W	